



Owner's Manual & Installation Guide

Foot Wave Activated Sensor / LFTFW

Warning

WARNING: This product is designed to function with a factory Passive Keyless Entry system. A Passive Keyless Entry system is required for Foot Wave sensor operation.

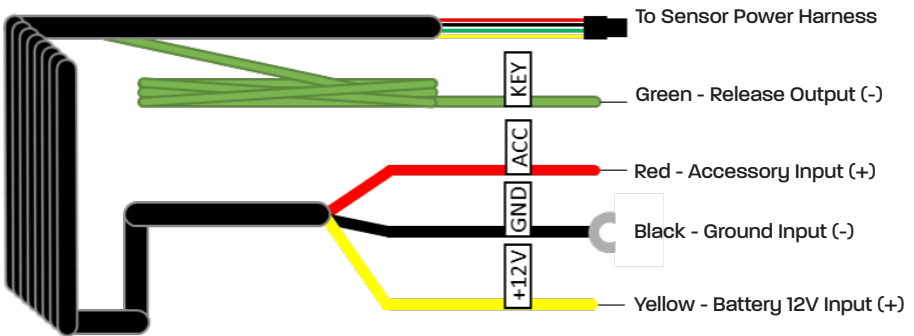
Sensor



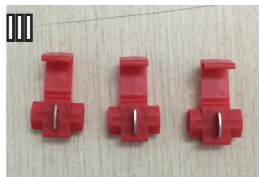
Sensor Power Harness



Main Power Harness



I. Mounting Template Sticker



III. T-taps (3)



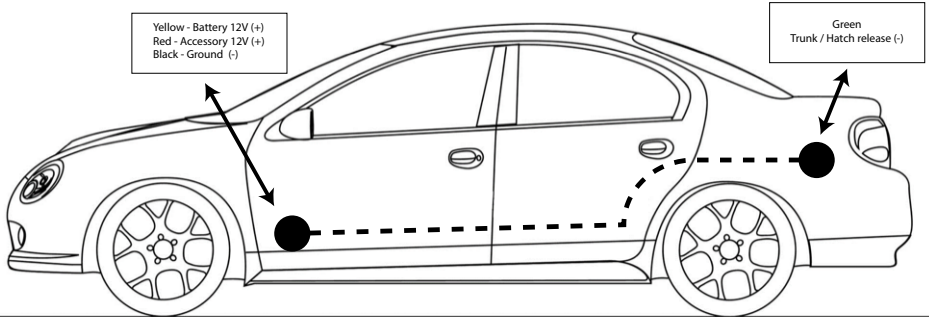
IV. "Foot Activated" Sticker

II. Installation Screws (2)

Installation

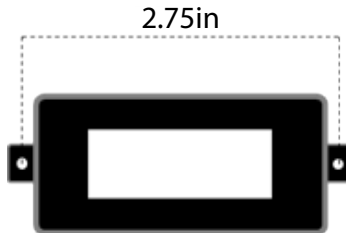
Main Power Harness Install

1. Route ACC (RED), GND (BLACK) and +12V (YELLOW) from front of vehicle to rear of vehicle.
2. Locate and test exterior factory trunk / hatch release switch to determine if switch is a Positive (+), Negative (-), or MUX trigger.
Note: Additional parts may be required for some Trunk / Hatch release switches.
3. Connect the GREEN Trunk / Hatch Release Output (-) to the vehicle release switch.



Sensor Mounting Prep & Install

1. Locate a suitable mounting location for foot wave sensor. Sensor requires an upward kicking motion for activation. The user's foot must travel a distance of 24-30in.
2. After locating a suitable mounting location, clean surface and wipe dry.
3. Use the supplied mounting template sticker to mark the mounting screw location.
4. Pre-drill mounting screw holes.
5. Use supplied screws to mount sensor. **Sensor should be mounted with white foam pad pointed to the user.**

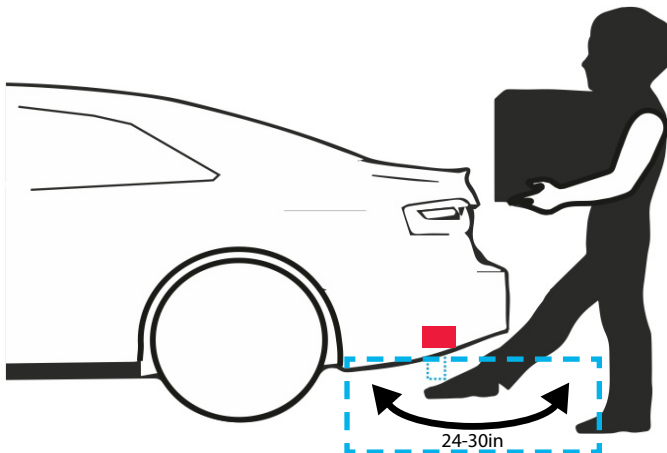
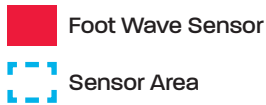
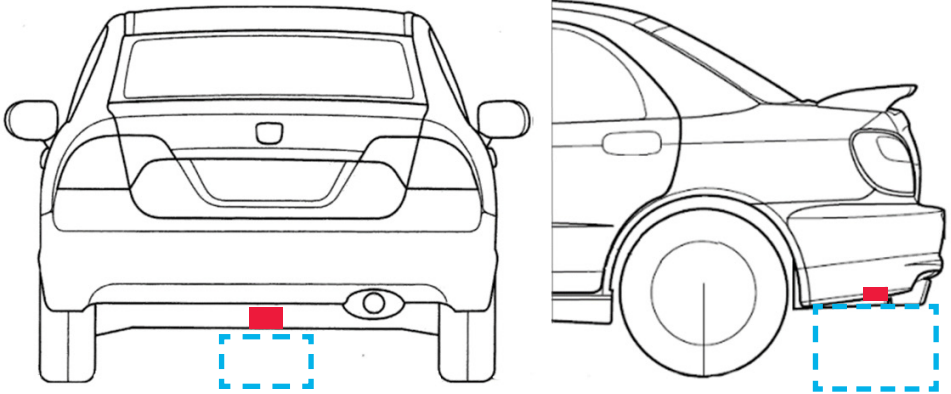


Connecting Sensor Power Harness

1. Find ideal location to a drill hole for the sensor harness to pass into the vehicle.
2. Drill hole and route sensor power harness to mounted sensor.
NOTE: A plastic or rubber grommet should be used anytime a wire is run through metal. Always make sure hole is sealed to prevent water from entering the interior of the vehicle.
3. Connect sensor harness to main power harness.
4. Make Battery, Accessory, and Ground connections to vehicle.

How to use the Foot-activated Sensor:

Standing at the trunk / hatch of the vehicle, raise your foot to the sensor area and hold for about 1-2 seconds. This should be an upward kicking motion, raising your foot from the ground to the sensor.



Troubleshooting

Common Activation Issues

- A. Foot motion outside the detection area.
- B. Foot motion is too slow or fast.
- C. Foot motion is not extending long enough under vehicle.
- D. The vehicle key is not near the trunk / hatch or not in the sensor area.

CAUTIONS

- A. Always carry the original vehicle remote control. The system only works when detecting the factory key.
- B. Do not leave the factory key in the car. Unplanned trunk / hatch release can occur.
- C. When washing the car, keep the key away from vehicle to avoid unplanned trunk / hatch release.

