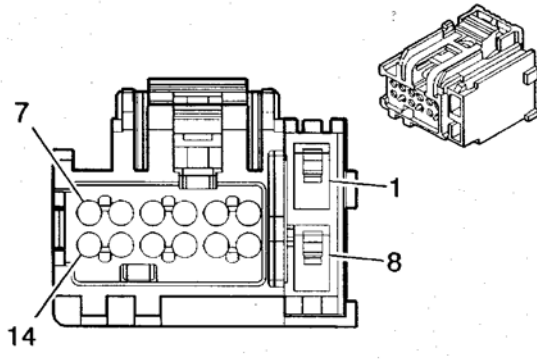


Wire Color	Circuit No.	Function	
A	BARE	1489	Drain Wire
B	D-GN	1488	Noise Compensation Microphone Supply Voltage

Radio C1



Connector Part Information

- OEM: 15464950
- Service: 88988731
- Description: 14-Way F GT 150 Micro 64 Modular (BK)

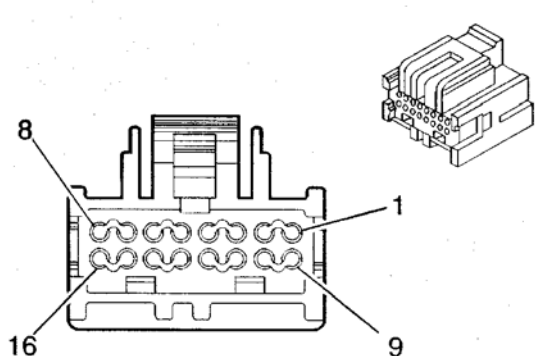
Terminal Part Information

- Pins: 1, 8
- Terminal/Tray: 12191812/19
- Core/Insulation Crimp: C/A
- Release Tool/Test Probe: 15315247/J-35616-2A (GY)
- Pins: 2-7, 9-13
- Terminal/Tray: 15359541/4
- Core/Insulation Crimp: M/M
- Release Tool/Test Probe: 15381651-2/J-35616-64B (L-BU)

Radio C1

Pin	Wire Color	Circuit No.	Function
1	RD/WH	340	Battery Positive Voltage
2	TN	201	Left Front Speaker Output (+) (UQ3)
	TN	511	Left Front Low Level Audio Signal (+) (UQA/UQS)
3	L-GN	200	Right Front Speaker Output (+) (UQ3)
	L-GN/WH	512	Right Front Low Level Audio Signal (+) (UQA/UQS)
4	PK	5149	Voice Recognition Audio Signal (UE1 w/U3R/U3U/UVB)
5	PK/BK	5152	Low Reference (UE1)
6	WH	7066	Entertainment Remote Enable Signal
7	YE	6817	LED Backlight Dimming Control
8	BK	2550	Ground
9	GY	118	Left Front Speaker Output (-) (UQ3)
	D-GN	1947	Left Front Low Level Audio Signal (-) (UQA/UQS)
10	D-GN	117	Right Front Speaker Output (-) (UQ3)
	OG/BK	1546	Front Low Level Audio Signal (-) (UQA/UQS)
11	BARE	2011	Drain Wire (UQA/UQS)
12	--	--	Not Used
13	D-GN	5060	Low Speed GMLAN Serial Data
14	--	--	Not Used

Radio C2



Connector Part Information

- OEM: 13526598
- Service: 19115675
- Description: 16-Way F Micro 64 Series (PU)

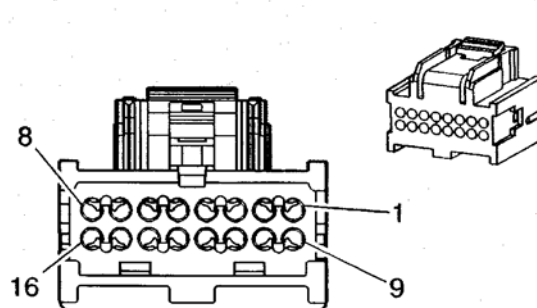
Terminal Part Information

- Terminal/Tray: 15359541/4
- Core/Insulation Crimp: M/M
- Release Tool/Test Probe: 15381651-2/J-35616-64B (L-BU)

Radio C2

Pin	Wire Color	Circuit No.	Function
1	BN/WH	367	Remote Radio Left Audio Signal (U2K)
2	D-GN/WH	368	Remote Radio Right Audio Signal (U2K)
3	BARE	2099	Drain Wire (UQA/UQS/UK6)
4	L-GN	7396	DVD Video Signal 2 (+) (DNU)
5	BN	199	Left Rear Speaker Output (+) (UQ3)
	BN/WH	599	Left Rear Low Level Audio Signal (+) (UQA/UQS)
6	D-BU	46	Right Rear Speaker Output (+) (UQ3)
	D-BU	546	Right Rear Low Level Audio Signal (+) (UQA/UQS)
7	D-BU	658	Cellular Telephone Voice Signal (UE1)
8	OG	6978	Amplifier Control (UQA Except Y91)
9	TN/WH	372	Remote Radio Audio Output (-) (U2K)
10	GY	388	Remote Radio Right Audio Signal (U2K)
11	BARE	1573	Drain Wire (U2K)
12	WH	7394	DVD Video Signal 2 (-) (DNU)
13	YE	116	Left Rear Speaker Output (-) (UQ3)
	BN	1999	Left Rear Low Level Audio Signal (-) (UQA/UQS)
14	L-BU	115	Right Rear Speaker Output (-) (UQ3)
	TN	1946	Right Rear Low Level Audio Signal (-) (UQA/UQS)
15	L-BU/BK	659	Low Reference (UE1)
16	D-GN/WH	7395	Video Mode 2 Signal (DNU)

Radio C3 (U42)



Connector Part Information

- OEM: 15394149
- Service: 89047195
- Description: 16-Way F Micro 64 Series (GY)

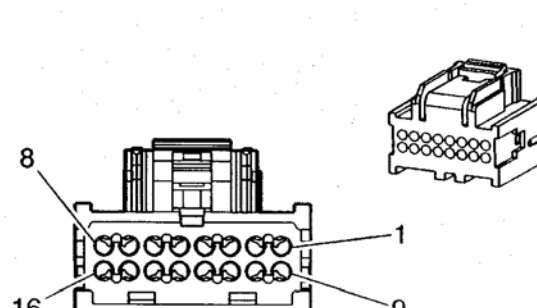
Terminal Part Information

- Terminal/Tray: 15359541/4
- Core/Insulation Crimp: M/M
- Release Tool/Test Probe: 15381651-2/J-35616-64B (L-BU)

Radio C3 (U42)

Pin	Wire Color	Circuit No.	Function
1	YE	2059	Auxiliary Audio Left Signal
2	WH	2058	Auxiliary Audio Right Signal
3	L-BU	5826	Left DVD Audio Signal (+)
4	WH	5828	Right DVD Audio Signal (+)
5	OG/BK	5831	Remote Infra Red Signal (+)
6	PK/BK	5844	Video Bright Control
7	D-GN	6975	DVD Video Signal (+)
8	PU	2056	Auxiliary Video High Signal
9	BARE	5345	Drain Wire
10	L-GN/BK	5845	Video Module Signal
11	PU	6979	DVD Audio Common
12	BARE	6980	DVD Audio Shield
13	TN/WH	5830	Remote Infra Red Signal (-)
14	BARE	6976	DVD Video Drain Wire
15	WH/BK	5335	DVD Video Signal (-)
16	BARE	5346	Video Drain Wire

Radio C4 (UQS/UVC)



Connector Part Information

- OEM: 15394151
- Service: 89047196
- Description: 16-Way F Micro 64 Series (BN)

Terminal Part Information

- Terminal/Tray: 15359541/4
- Core/Insulation Crimp: M/M
- Release Tool/Test Probe: 15381651-2/J-35616-64B (L-BU)

Radio C4 (UQS/UVC)

Pin	Wire Color	Circuit No.	Function
1-2	--	--	Not Used
3	D-BU	6760	Center Channel Low Level Audio Signal (UQS)
4	WH	6763	Subwoofer Low Level Audio Signal (UQS)
5	D-GN/WH	817	Vehicle Speed Signal (UVC)
6	PK	6972	Camera Signal #2 + (UVC)
7	L-BU	6973	Camera Signal #2 (UVC)
8	PU	5837	Amplifier Audio Prompt Signal (+) (UQS)
9-10	--	--	Not Used
11	OG	6761	Center Channel Low Level Audio Signal (-) (UQS)
12	PK	6762	Subwoofer Low Level Audio (-) (UQS)
13	BARE	6759	Drain Wire (UQS)
14	--	--	Not Used
15	BARE	5838	Drain Wire (UQS)
16	GY	5836	Amplifier Audio Prompt Signal (-) (UQS)

Rear Seat Audio (RSA) Controller C1 (UK6)